



Series W1301

“Mega Gun II” High Pressure Regulator

Application

A direct-acting, self-operated, high pressure gas regulator. Effective reduction of high-pressure gas to operate controllers, valve actuators and chemical injection pumps as well as to supply fuel gas to pilot operated fire tubes on various production equipment.

Rugged “oilfield” design with multi-purpose application reliability. It’s what makes this high pressure regulator the number one choice for reducing large inlet pressures to supply pressures required by other pneumatic driven devices.

Features

- 6000 psi Inlet Pressure
- Rugged Construction
- Cost Effective
- Three Outlet Ranges (See Table 1)



Just One of Many Offered From An Arsenal of General Purpose Pressure Regulators



Specifications

Maximum Inlet	6000 psi
Port Size	1/4" FNPT
	(One Inlet and Two Outlet Connections)
Vent	Four Holes, 5/32"
Materials	Brass or Nickel Plated
Temperature	-20°F to 180°F
Outlet Range	0 to 75 psi
	0 to 150 psi
	0 to 225 psi
Flow Coefficient	Approx. .13

Dimensional Data

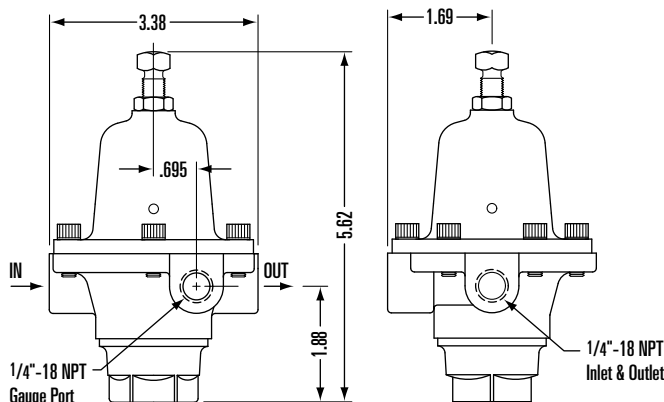


Table 1 • Pressure Range (psig) and Capacity (scfh)

Outlet Pressure Range	Outlet Pressure Setting	Inlet Press > Droop >	Capacity In SCFH of 0.6 Specific Gravity Natural Gas													
			100		250		500		750		1000		1500		2000	
			10%	20%	10%	20%	10%	20%	10%	20%	10%	20%	10%	20%	10%	20%
0 to 75	25	CAPACITY >	245	374	387	619	516	839	645	968	671	993	697	1032	722	1058
	50	CAPACITY >	361	516	619	1032	929	1290	1084	1548	1161	1677	1226	1806	1290	1935
	75	CAPACITY >	323	516	774	1161	1161	1806	1290	2064	1419	2193	1548	2322	1677	2451
0 to 150	75	CAPACITY >	258	452	645	1032	1032	1677	1226	1935	1290	2064	1419	2193	1548	2322
	150	CAPACITY >	—	—	968	1290	1419	2322	1871	2967	2064	3354	2193	3612	2322	3870
0 to 225	150	CAPACITY >	—	—	839	1161	1290	2193	1742	2838	1935	2903	2129	3548	2322	3870
	225	CAPACITY >	—	—	645	1032	1806	2709	2451	3741	3096	4515	3483	5160	3870	5805

“Mega Gun II” High Pressure Regulator

Determining the Model Number

Example given: Standard Model 150-QBR, Series W1301 Regulator, 0-150 psi Outlet Pressure Range, Square Head Adjustment and Brass Body.

“Mega Gun II” Model 150 - Q BR

- 075 • 0-75 psi
- 150 • 0-150 psi
- 225 • 0-225 psi

Outlet Pressure

Body Material

- BR • Brass
- NI • Ni-Plated

Adjustment Screw

- Q • Square Head
- T • T-Bar

Parts List

Item	Description	Qty.	Part No.
1	BODY	1	40776
2	SPRING CASE	1	40778
3	BOTTOM CAP	1	31035
4	YOKE, BOTTOM	1	21152
5	SEAT RING	1	21154
6	VALVE DISK ASSEMBLY	1	21156
7	DIAPHRAGM	2	21155
8	DIAPHRAGM HEAD	1	21160
9	UPPER SPRING SEAT	1	21161
10	VALVE SPRING	1	11109
11	SPRING, 0-75#	1	11110
	SPRING, 0-150#	1	11115
	SPRING, 0-225#	1	11116
12	BODY GASKET	1	11108
13	DIAPHRAGM HEAD GASKET	1	11107
14	O-RING	1	10645
15	ADJUSTING SCREW	1	11111
16	SOCKET HEAD SCREW	6	11113
17	FLAT HEAD SCREW	2	11117
18	JAM NUT	1	11112
19	HEX NUT	1	11114
20	VALVE DISK COLLAR	1	21159
21	YOKE, TOP	1	21153

