

"Mega Gun" High Pressure Regulator

Application

A direct-acting, self-operated, high pressure gas regulator. Effective reduction of high pressure gas to operate controllers, valve actuators and chemical injection pumps as well as to supply fuel gas to pilot operated fire tubes on various production equipment.

Features

- 5500 psi Inlet Pressure
- Cost Effective
- 3 Material Options
- Tamper-Proof or T-Handle Adjustment
- Rotating Seat
- 6 Outlet Ranges

Specifications

Max. Inlet 5500 psi

Port Size 1/4" FNPT

Vent (4, 5/32 Holes)

3 Materials: Brass

Nickel Plated

Stainless Steel

Temp. -40°F to 225°F

Outlet Range 0-30 psi

0-60 psi

0-120 psi

0-150 psi

0-225 psi

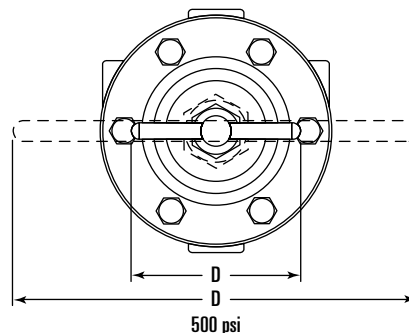
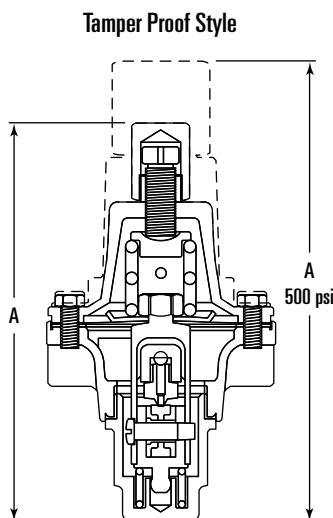
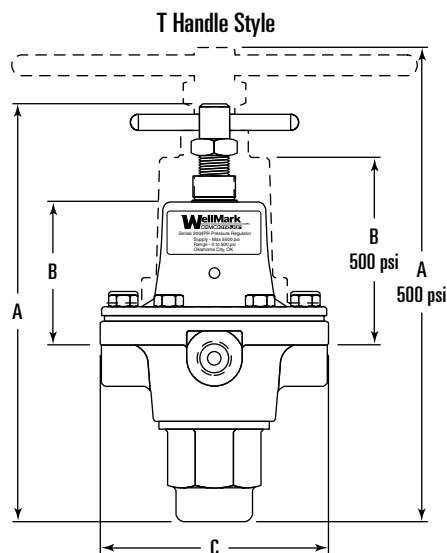
0-500 psi

Cv Approx. .17



Dimensional Data

Style	A	B	C	D
Tamper Proof 0-30, 0-60, 0-120, 0-150, 0-225 Range	5.90	2.30	3.33	0.75
T-Handle 0-30, 0-60, 0-120, 0-150, 0-225 Range	6.14	2.30	3.33	2.50
Tamper Proof 0-500 Range	6.78	2.96	3.33	1.25
T-Handle 0-500 Range	6.98	2.96	3.33	60.0



“Mega Gun” High Pressure Regulator

Determining the Model Number

Example given: Standard Model 120-ACBR, Series 2004PR Regulator, 0-120 Outlet Pressure Range, Tamper Proof Adjustment, CTFE Seat and Brass Body.

“Mega Gun” Model 120 - A C BR

- Outlet Pressure Range**
- 030 • 0-30 psi
 - 060 • 0-60 psi
 - 120 • 0-120 psi
 - 150 • 0-150 psi
 - 225 • 0-225 psi
 - 500 • 0-500 psi*
- *Not Available in S.S. Unit

- Body Material**
- BR • Brass
 - NI • Ni-Plated
 - SS • Stainless Steel

- Seat Material**
- C • CTFE*
 - P • PTFE**
- *Brass Only
**S.S. and Ni-Plated Only

- Adjustment**
- A • Allen Head (Tamper Proof)
 - T • T-Bar

Flow Charts

(Natural Gas @ 0.6 S.G.)

