



Series 2003PR

“Mini Gun” General Purpose Instrument And Gas Pressure Regulator

Application

The “Mini Gun” Series 2003PR regulators are standard equipment for pneumatic liquid level controls and valve positioners; in addition, they can be used for general purpose control of gas or air to other pneumatic instruments.

Features

- Low Cost
- Multiple Options
- Self-Relieving
- Excellent Regulation Qualities
- Minimal Droop at High Flow
- NACE MR0175 Available
- Optional Tapped Vent Exhaust

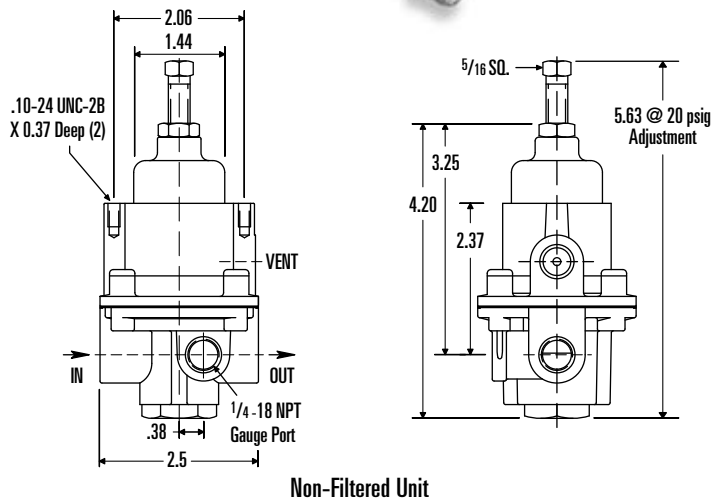


Specifications

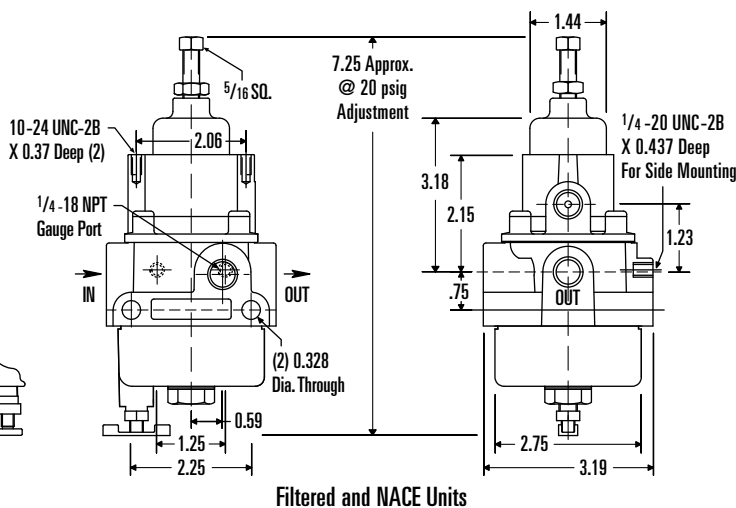
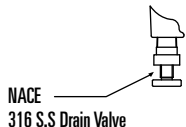
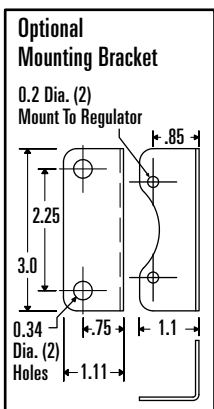
Sensitivity	1" Water Column
Flow Capacity	20 SCFM at 100 Supply, 20 psi Output
Supply Pressure	250 psi Max.
Air Consumption At Max. Output	6 scfh
Port Size	1/4" FNPT
Body Material	Diecast Aluminum

With Vinyl Paint or Epoxy

Dimensional Data



Non-Filtered Unit



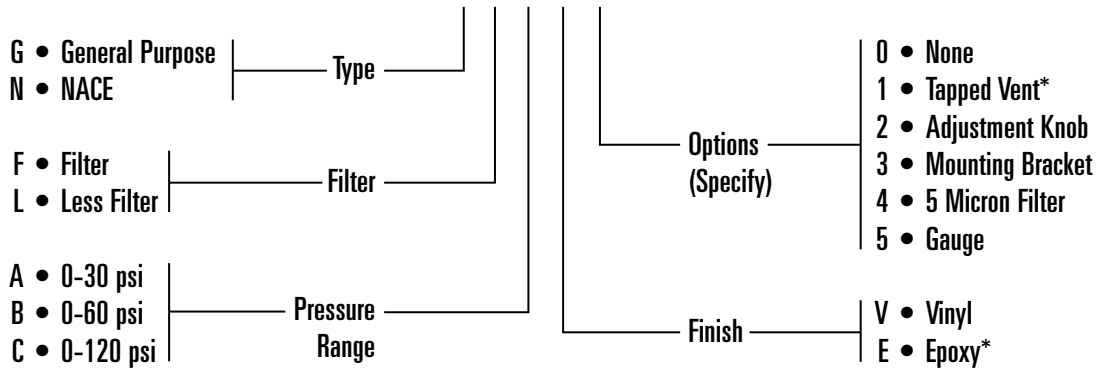
Filtered and NACE Units

“Mini Gun” General Purpose Instrument And Gas Pressure Regulator

Determining the Model Number

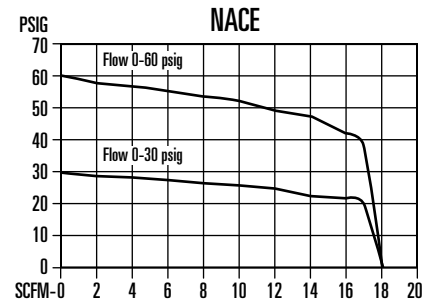
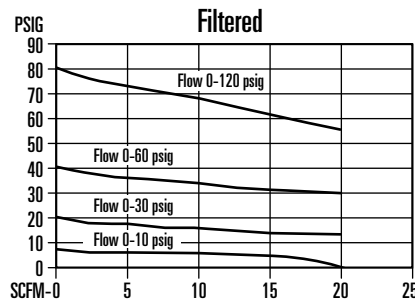
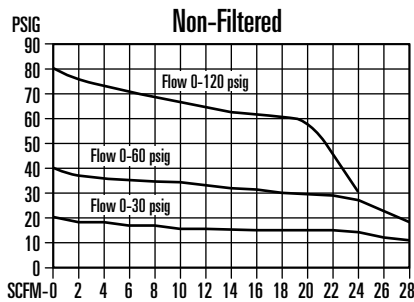
Example given: Standard Model GFAVO, Series 2003PR, General Purpose, Filtered, 0-30 psi, Vinyl Finished, Gas Pressure Regulator.

“Mini Gun” Model G F A V O



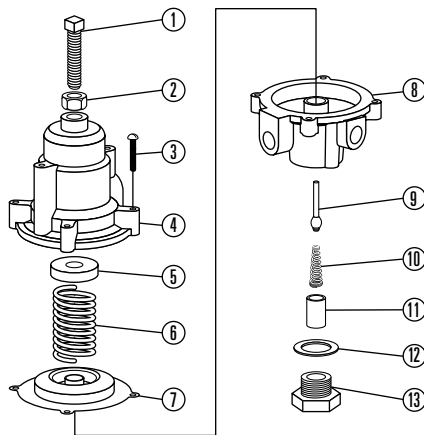
*Standard with NACE

Regulated Pressure Vs. Flow



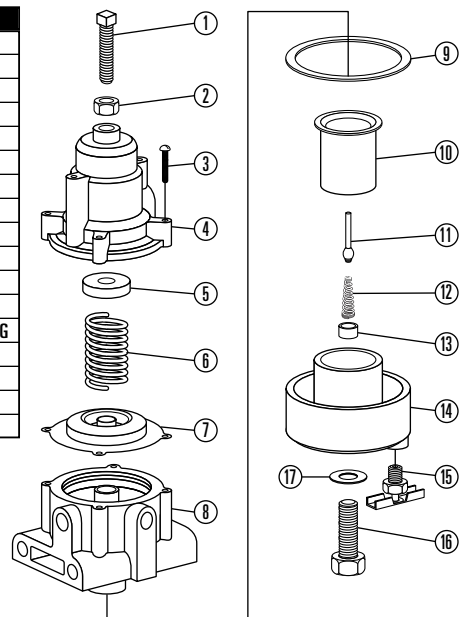
Parts List, Non-Filtered Unit

Item	Description
1	SO. HD. ADJ. SCREW
2	NUT, LOCKING
3	BUILD SCREW
4	BONNET
5	GUIDE, SPRING
6	SPRING, RANGE
7	DIAPHRAGM ASSY.
8	BODY
9	PINTLE
10	*SPRING, PINTLE
11	*SCREEN
12	*GASKET
13	*PLUG, BOTTOM



Parts List, Filtered and NACE Units

Item	Description
1	SO. HD. ADJ. SCREW
2	NUT, LOCKING
3	BUILD SCREW
4	BONNET
5	GUIDE, SPRING
6	SPRING, RANGE
7	*DIAPHRAGM ASSY.
8	BODY
9	*GASKET, DRIPWELL
10	*FILTER
11	*PINTLE, VALVE
12	*SPRING, PINTLE
13	SCREW, PINTLE SPRING
14	HOUSING, DRIPWELL
15	PETCOCK
16	SCREW, HEX HEAD
17	WASHER



*Recommended spares (included in repair kit).
 All items marked with an asterisk (*) will be included in repair kit.
 Other parts may be ordered separately by specifying the item number, part name and the part number of the regulator for which the parts are intended.
IMPORTANT: Orders for these parts cannot be properly filled unless you specify the regulator part number and pressure range.