

720 Sealed Cage Level Control

Application

The Model 720 Series are float-operated units designed for external mounting to the process vessel and provide high pressure capabilities with low specific gravity ratings within the petroleum, power and natural gas industries. These models provide reliable magnetic switching for level alarm or control function applications. The advantage of this unit is lower cost than the flanged chambers.

Features

- **Construction Versatility:** Standard Level Control includes a Carbon Steel float cage with a choice of threaded, socket-weld or flanged tank connection. Consult factory for other materials.
- **Explosion Proof:** CSA APPROVED
 Class I, Division I, Groups C & D
 Class II, Groups E, F & G
 Class III, Enclosure Type 4
- **Various Models:** A wide selection of cage & trim materials and switch mechanisms are available.
- **100% Hydrostatic Test @ 1 1/2 Times Related Pressure.**

Operation

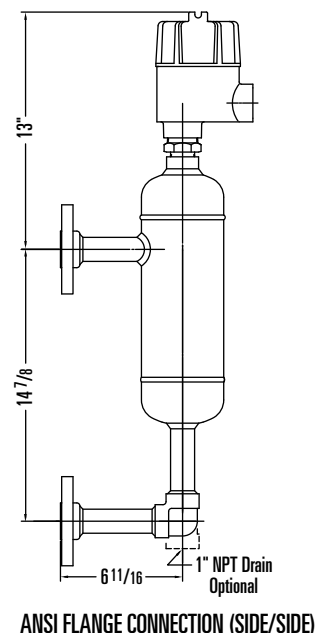
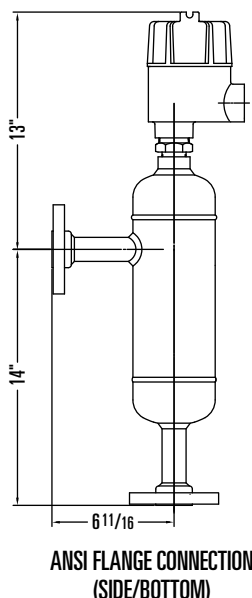
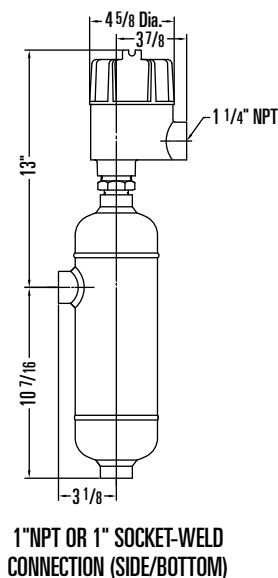
As the liquid rises, the float inside the sealed cage moves the attached magnetic attraction sleeve into the field of the magnet located in the switch housing. As this magnet swings toward the enclosing tube, it causes the micro switch to actuate. As the liquid level falls, the magnetic attraction sleeve moves out of the magnetic field and the bias spring pulls the magnet away from the enclosing tube, which deactuates the micro switch.



Specifications

Switch Housing	Explosion Proof Cast Aluminum	
Operating Pressure	300 psi Max.	
Operating Temperature	450°F Max.	
Minimum Specific Gravity	0.53 Min.	
Electrical Connections	1 1/4" Female Pipe Thread	
Electrical Contacts	SPDT Micro Switch standard	
FUNCTION	AMBIENT TEMP	SWITCH RATING
Standard	-40 to 160°F	5A @ 250 VAC
High Temp	-40 to 450°F	5A @ 250 VAC

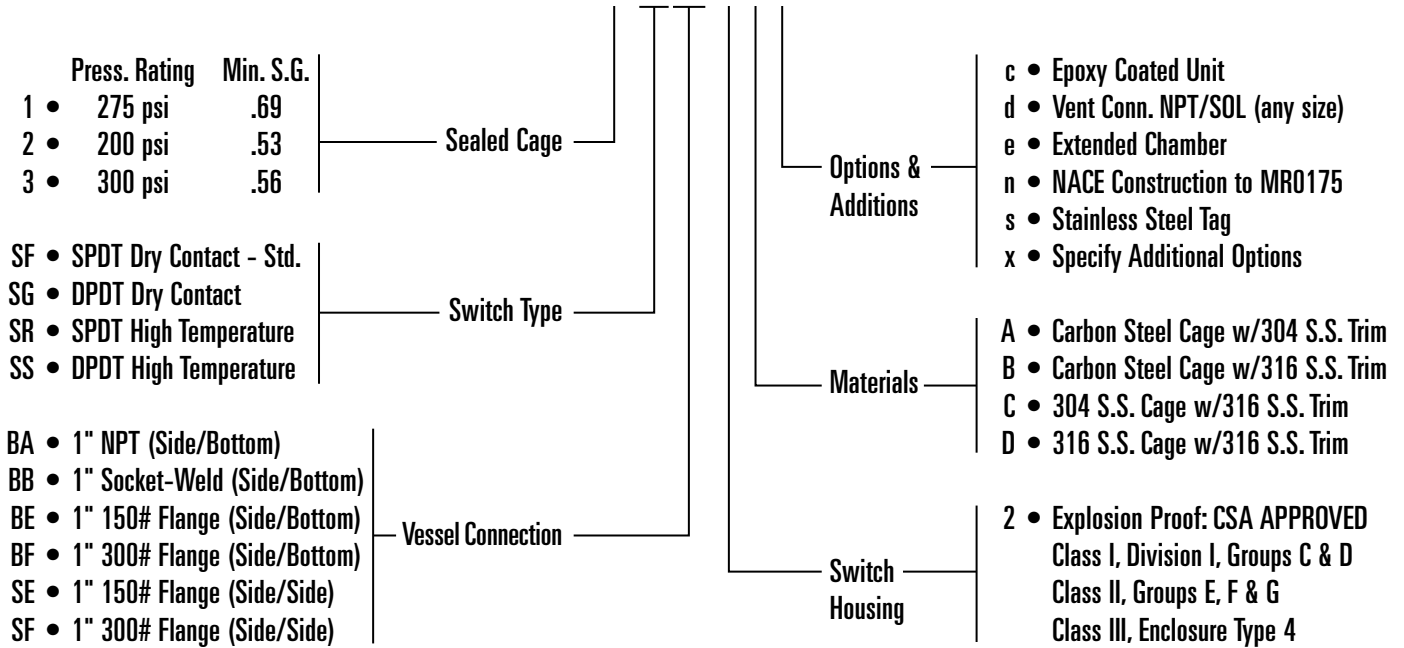
Dimensional Data



720 Sealed Cage Level Control Determining the Model Number

Example given: Sample Model 720 1-SFBA-2A Sealed Cage External Mount Float Control with, SPDT Micro Switch, 1" NPT side and bottom Process Connections, Carbon Steel Cage with 304 S.S. Trim, Pressure rated to 275 psi and with Explosion Proof Switch Housing.

MODEL 720 1-SFBA-2 A,X



Parts List

Item	Description	Qty.	Part No.
1	HOUSING, ALUMINUM	1	007201-M
2	COVER, ALUMINUM	1	000203-M
3	ADAPTER W/ENCLOSING TUBE, 316 S.S.	1	007524-A
4	SWITCH KIT ASSEMBLY, SPDT	1	009341-A
	SWITCH KIT ASSEMBLY, DTD	1	009342-A
5	ATTRACTION SLEEVE, 17-4PH	1	009532-M
6	LOCK NUT, STAINLESS STEEL	5	05000-2252
7	STOP TUBE, STAINLESS STEEL	1	007119-M
8	GUIDE PLUG, STAINLESS STEEL	1	002304-M
9	CAGE W/ FLOAT AND ARM ASSEMBLY	1	C/F
10*	GROUND SCREW	1	001504-G
11*	GROUND CUP, BRASS	1	001800-P
12	O-RING, BUNA-N	1	05000-5446
13*	SCREW, STAINLESS STEEL	2	001501-P

*Not Shown
C/F: Call factory for Part No.

